

## 3. Plenums

<b>Chapter</b>	<b>Description</b>	<b>Product Code</b>	<b>Page</b>
3.1	Plenum Box	ADC	88
3.2	Insulated Plenum Box	ADCI	90
3.3	Linear Plenum Box	ASA	92

# 3. Plenums

3.1 Plenum Box | ADC

## Description

The 3.1 plenum box is for use with grilles and diffusers. The plenum is manufactured from galvanised steel.

### Ordering procedure

Using the chart below, select your requirement and substitute the underscored text **ADC..X..Y..D**

**Example:** If your requirement is for a 375 mm square plenum with a 200 mm dia. inlet, the ordering code would be: **ADC151508**

Other sizes are available upon request. Please contact your nearest Bradflo office.



## Product size numbers

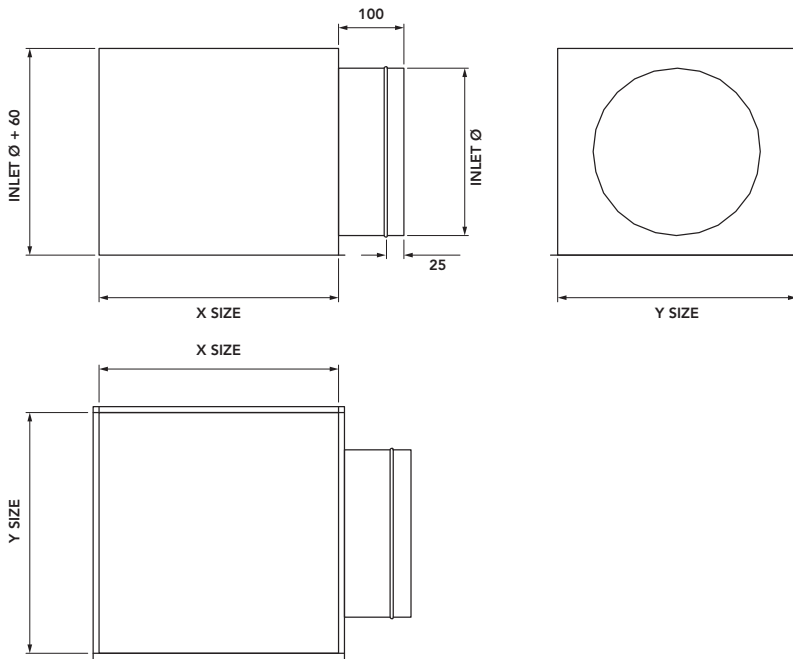
Type	"X" Size	Number of slots, "S"					Inlet diameter "I"				Inlet Dia. "D"	
		06 (150)	08 (200)	09 (225)	10 (250)	12 (300)	15 (325)	16 (400)	18 (450)	24 (600)		
ADC	06 (150)											06 (150)
	08 (200)											08 (200)
	09 (225)											10 (250)
	10 (250)											12 (300)
	12 (300)											
	15 (375)											
	16 (400)											
	18 (450)											
Special sizes	24 (600)											

# 3. Plenums

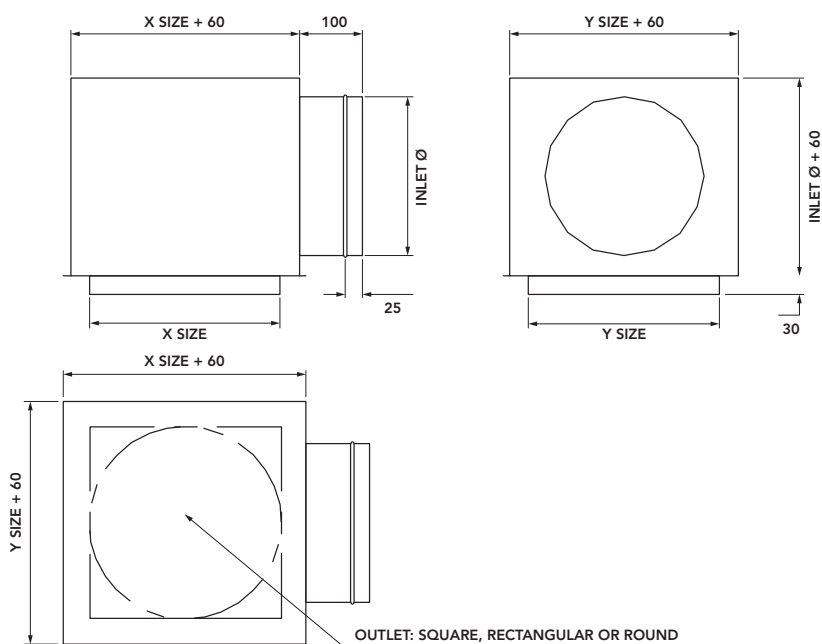
## 3.1 Plenum Box | ADC

### Design dimensions

#### Inlet larger than the outlet



#### Inlet smaller than the outlet



# 3. Plenums

3.2 Insulated Plenum Box | ADCI

## Description

The 3.2 insulated plenum box is for use with grilles and diffusers. The plenum is manufactured from galvanised steel and internally insulated with black faced glasswool. Other types of insulation is available upon request including external polyurethane foam.

### Ordering procedure

Using the chart below, select your requirement and substitute the underscored text **ADCI..X..Y..D.**

**Example:** If your requirement is for a 375 mm square plenum with a 200 mm dia. inlet, the ordering code would be: **ADCI151508.**

Other sizes are available upon request. Please contact your nearest Bradflo office.



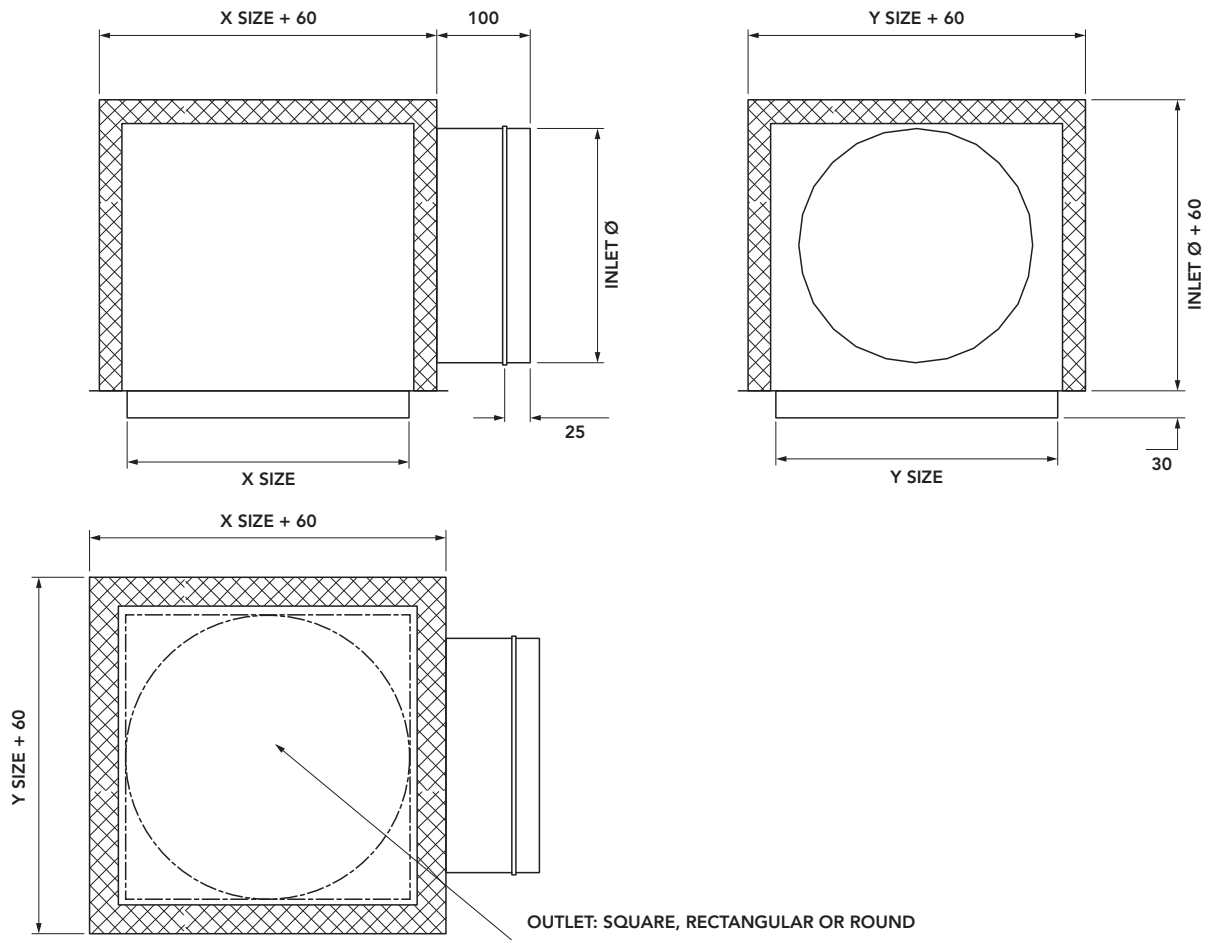
## Product size numbers

Type	"X" Size	Number of slots, "S"					Inlet diameter "I"				Inlet Dia. "D"
		06 (150)	08 (200)	09 (225)	10 (250)	12 (300)	15 (325)	16 (400)	18 (450)	24 (600)	
ADCI	06 (150)										06 (150)
	08 (200)										08 (200)
	09 (225)										10 (250)
	10 (250)										12 (300)
	12 (300)										
	15 (375)										
	16 (400)										
	18 (450)										
Special sizes	24 (600)										

# 3. Plenums

## 3.2 Insulated Plenum Box | ADCI

### Design dimensions



# 3. Plenums

## 3.3 Linear Plenum Box | ASA

### Description

The ASA is a plenum suitable for use with all types of linear grilles and diffusers. It is manufactured from galvanised steel.

#### Ordering procedure

Using the chart below, select your requirements and substitute the underscored text **ASA..N..U..D..E**

**Example:** If your requirement is for a 4 slot 1200 mm long linear plenum with a 200 mm dia. inlet and a left hand end, the ordering code would be: **ASA..4..48..08..EL** (When ordering it is not necessary to include the periods [..])

Other sizes are available upon request. Please contact your nearest Bradflo office.



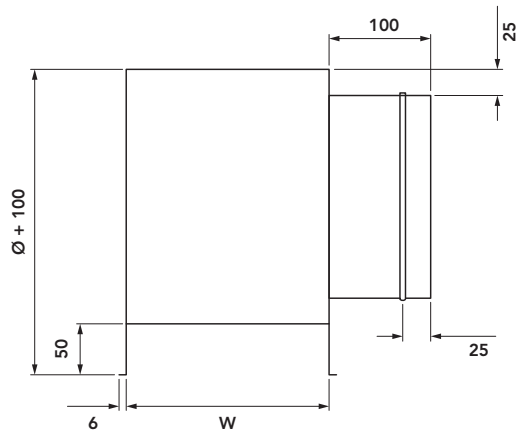
### Product size numbers

Type	No. of Slots "N"	Length "X"	Inlet dia."D"	No. of Ends "E"	Colour
<b>ASA</b>	<b>1</b>	<b>24</b> (600)	<b>08</b> (200)	<b>0E</b> (No ends)	Matt black on inside faces
	<b>2</b>	<b>36</b> (900)	<b>09</b> (225)	<b>EL</b> (One end left)	
	<b>3</b>	<b>48</b> (1200)	<b>10</b> (250)	<b>ER</b> (One end right)	
	<b>4</b>	<b>60</b> (1800)		<b>2E</b> (Two ends)	
	<b>5</b>				
	<b>6</b>				
	<b>7</b>				
	<b>8</b>				

# 3. Plenums

## 3.3 Linear Plenum Box | ASA

### Design dimensions



SLOTS	W
1	48
2	86
3	124
4	162
5	200
6	238
7	277
8	315

